

avintage●●●

Built-in range

Single-compartment service wine cabinet

22 bottles*

AV22XI

-
- *Built-in installation*
 - *Cooling system: compressor (air moving system)*
 - *Adjustable temperature range of use: 5-20°C*
 - *Black metal external body*
 - *Black PVC inner liner*
 - *1 reversible glass door, anti-UV treated, 3-layers tempered glass (brown colored), stainless steel frame*
 - *Electronic regulation*
 - *3 semi-sliding wooden shelves, metal front*



- *Optimization of energy consumption: **A class***
- *Door and temperature **alarms***



avintage

Reference: AV22XI

- **Ambient temperature range of use:**
16°-32°C
- **Equipments included:**
White LED lights with ON/OFF switch button
Anti-vibration system
Thermometer with electronic display (white)
- **Technical characteristics:**
Voltage: 220-240 V
Power input: 70 W
Annual electrical consumption: 139 kWh
Energy class: A
Climatic class: N
Noise level: 43 dB
- **Logistic datas:**

Dimension UVC (W x D x H cm):

Packed: 64x64x51
Unpacked: 59x54x45.50

Weight UVC (Kg):

Gross: 31,00
Net: 27,00

Pallet dimensions (cm):

0

Full truck (UVC):

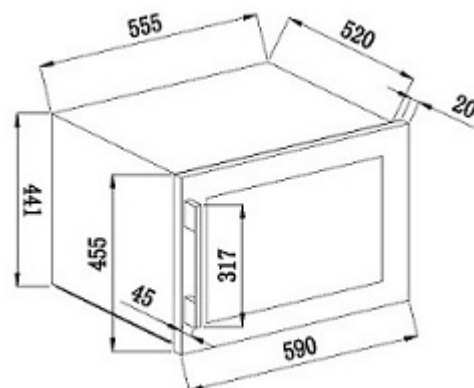
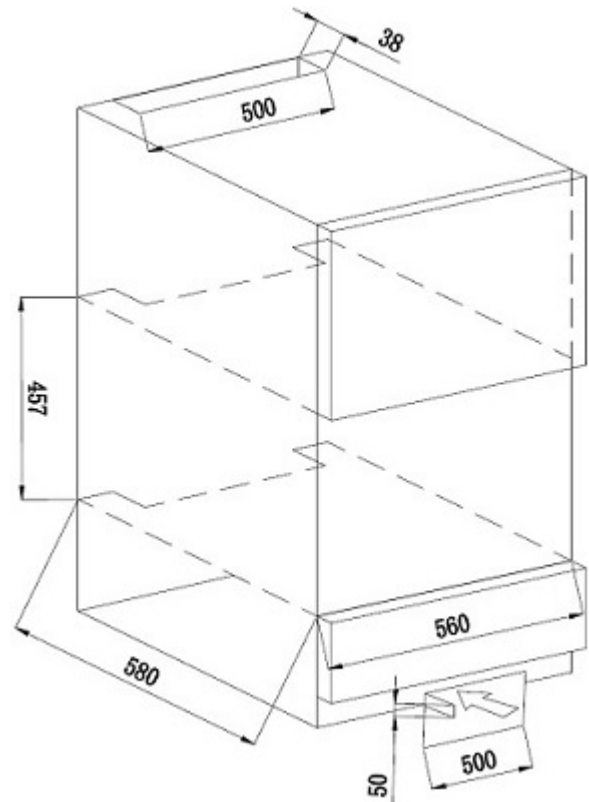
180

Container (UVC):

20': 108
40': 216
40' HC: 270

Gencod UVC:

3595320104486



Non-contractual pictures

* Capacity given with 75cl Bordeaux traditional type bottles. Adding shelves reduce considerably the total capacity.