

avintage●●●

Built-in range

3-compartments service wine cabinet

97 bottles*

AVI97X3ZI

- *Built-in installation*
- *Cooling system: compressor (air moving system)*
- *Adjustable temperature range of use:
5°-20°C/5°-10°C/10°-20°C*
- *Black metal external body*
- *Black PVC inner liner*
- *1 reversible glass door, anti-UV treated, 3-layers
tempered glass (brown colored), stainless steel
frame*
- *Electronic regulation*
- *9 sliding wooden shelves, wooden front*
1 sliding presentation shelf, wooden front

Big format **3-compartments built-in** wine
cellar: 174,5cm (built-in height).

A **presentation shelf** allows you to present up to
5 bottles.

**Capacity given as an indication without presentation
shelf. Adding shelves reduces considerably the total
capacity.*



avintage

Reference: AVI97X3ZI

- **Ambient temperature range of use:**
0-32°C
- **Equipments included:**
4 adjustable feet (height 3 cm)
White LED lights with ON/OFF switch button
Anti-vibration system
Winter system
Water tray to maintain proper hygrometry
Thermometer with electronic display (white)
- **Technical characteristics:**
Voltage: 220-240 V
Power input: 165 W
Annual electrical consumption: 216 kWh
Energy class: B
Climatic class: N
Noise level: 45 dB
- **Logistic datas:**

Dimension UVC (W x D x H cm):

Packed: 65.5x66x186.5

Unpacked: 59.5x54x178.8

Weight UVC (Kg):

Gross: 116,00

Net: 106,00

Pallet dimensions (cm): 0

Full truck (UVC): 60

Container (UVC):

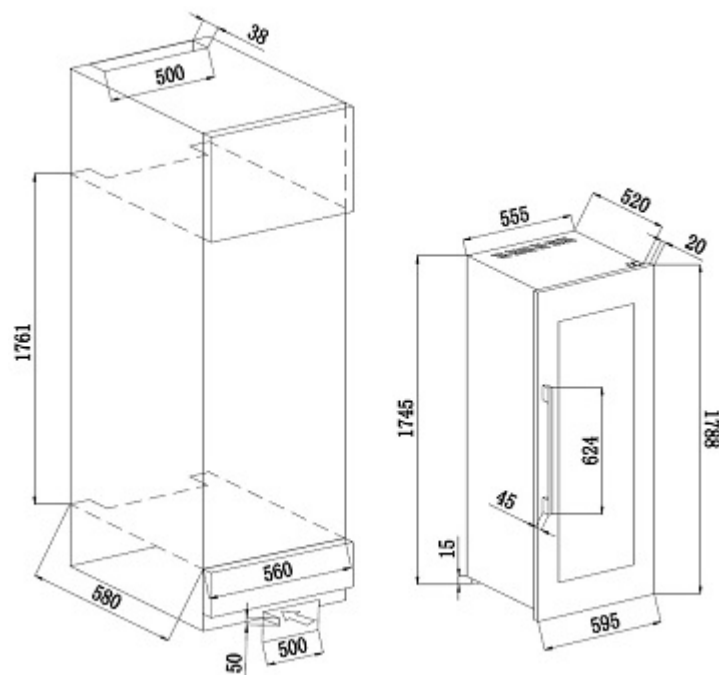
20': 24

40': 54

40' HC: 54

Gencod UVC:

3595320104516



Non-contractual pictures

* Capacity given with 75cl Bordeaux traditional type bottles on 10 shelves. Adding shelves reduce considerably the total capacity.