

# avintage

## Built-under range

### Single-compartment service wine cabinet

**21 bottles\***

**AVU23SX**

- Free standing and built-under counter installation
- Cooling system: compressor (air moving system)
- Adjustable temperature range of use: 5°-20°C
- Black metal external body
- Black PVC inner liner
- 1 reversible glass door, anti-UV treated, 3-layers tempered glass (brown colored), stainless steel frame
- Electronic regulation
- 2 semi-sliding metal shelves, wooden front
- 2 semi-sliding metal half shelves, wooden front

New elegant design and optimization of energy consumption: **A class.**

Thanks to the black shelf provided with your wine cellar, you can also arrange your opened **bottles vertically** for example!



# avintage

## Reference: **AVU23SX**

- **Ambient temperature range of use:**  
16°-32°C
- **Equipments included:**  
4 adjustable feet (height 6.5 cm)  
Plumbing passage  
White LED lights with ON/OFF switch button  
Anti-vibration system  
Removable aeration system  
Water tray to maintain proper hygrometry  
Thermometer with electronic display (white)
- **Technical characteristics:**  
Voltage: 220-240 V  
Power input: 74 W  
Annual electrical consumption: 140 kWh  
Energy class: A  
Climatic class: N  
Noise level: 43 dB
- **Logistic datas:**

Dimension UVC (W x D x H cm):

Packed: 34x63x85  
Unpacked: 29.5x57.1x82

Weight UVC (Kg):

Gross: 31,00  
Net: 28,00

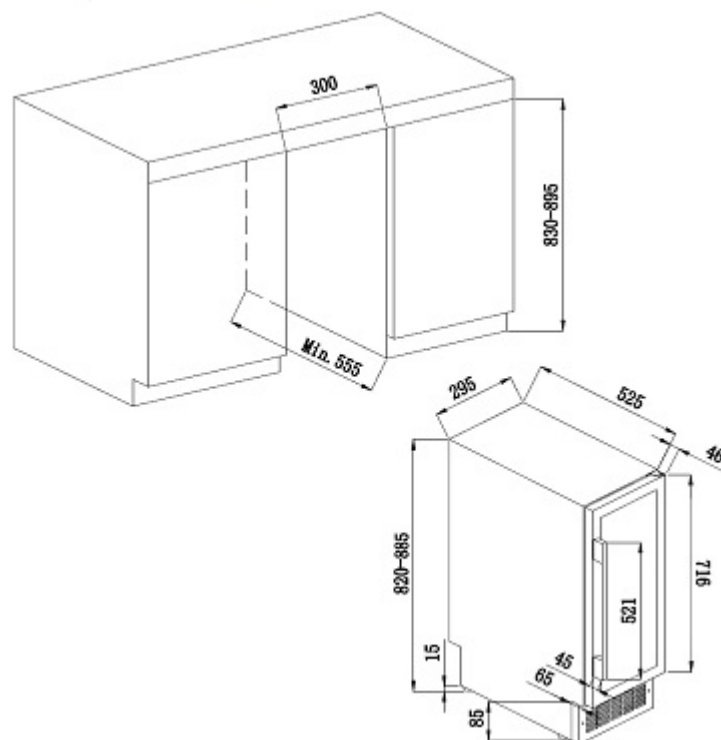
Pallet dimensions (cm): 0

Full truck (UVC): 252

Container (UVC):

20': 146  
40': 294  
40' HC: 366

Gencod UVC: 3595320104721



Non-contractual pictures

\* Capacity given with 75cl Bordeaux traditional type bottles. Adding shelves reduce considerably the total capacity.