

avintage●●●

Built-under range

Single-compartment service wine cabinet

8 bottles*

AVU8X

-
- *Built-under counter installation*
 - *Cooling system: compressor (air moving system)*
 - *Adjustable temperature range of use: 5°-18°C*
 - *Black metal external body*
 - *Black PVC inner liner*
 - *1 reversible glass door, anti-UV treated, 3-layers tempered glass (brown colored), stainless steel frame*
 - *Electronic regulation*
 - *6 fixed metal shelves*

An Avintage innovation!

New elegant design and optimization of energy consumption: A class.

Thanks to the 6.5 cm recess of the plinth, you can put an 8th bottle of champagne, for example, upright (ideal for keeping a bottle already opened).



avintage

Reference: AVU8X

- **Ambient temperature range of use:**
16°-32°C
- **Equipments included:**
4 adjustable feet (height 7 cm)
White LED lights with ON/OFF switch button
Anti-vibration system
Removable aeration system
Thermometer with electronic display (white)
- **Technical characteristics:**
Voltage: 220-240 V
Power input: 70 W
Annual electrical consumption: 135 kWh
Energy class: A
Climatic class: N
Noise level: 44 dB

- **Logistic datas:**

Dimension UVC (W x D x H cm):

Packed:	17.5x59x86.5
Unpacked:	14.5x54.75x82

Weight UVC (Kg):

Gross:	22,00
Net:	20,00

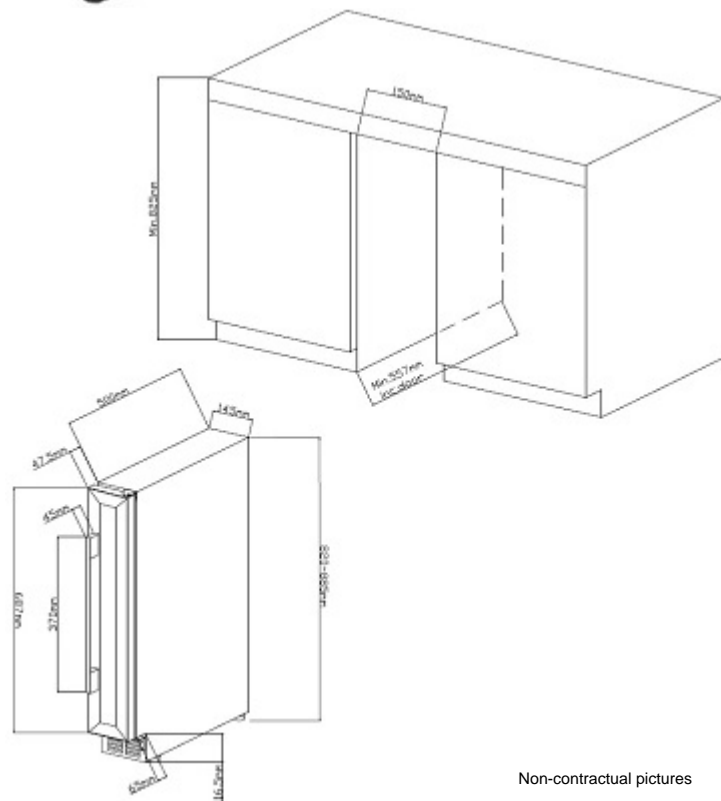
Pallet dimensions (cm): 0

Full truck (UVC): 0

Container (UVC):

20':	282
40':	596
40' HC:	741

Gencod UVC: 3595320105070



Non-contractual pictures

* Capacity given with 75cl Bordeaux traditional type bottles. Adding shelves reduce considerably the total capacity.