



Built-under range

2-compartment service wine cabinet

50 bottles*

CV52IXDZ

- *Built-under counter installation*
- *Cooling system: compressor (air moving system)*
- *Adjustable temperature range of use:
5°-10°C/10°-20°C*
- *Black metal external body*
- *Black PVC inner liner*
- *1 reversible glass door, anti-UV treated, 2-layers
tempered glass (grey-colored), stainless steel
frame*
- *Electronic regulation*
- *4 semi-sliding wooden shelves
1 semi-sliding wooden half shelf*





Reference: CV52IXDZ

- **Ambient temperature range of use:**
0°-32°C
- **Equipments included:**
 - 4 adjustable feet (height 6.5 cm)
 - Plumbing passage
 - White LED lights with ON/OFF switch button
 - Anti-vibration system
 - Removable aeration system
 - Winter system
 - Water tray to maintain proper hygrometry
 - Thermometer with electronic display (blue)
- **Technical characteristics:**
 - Voltage: 220-240 V
 - Power input: 100 W
 - Annual electrical consumption: 198 kWh
 - Energy class: B
 - Climatic class: N
 - Noise level: 44 dB

• Logistic datas:

Dimension UVC (W x D x H cm):

Packed: 65.5x66.5x87

Unpacked: 59.5x57.1x82

Weight UVC (Kg):

Gross: 54,00

Net: 50,00

Pallet dimensions (cm): 0

Full truck (UVC): 0

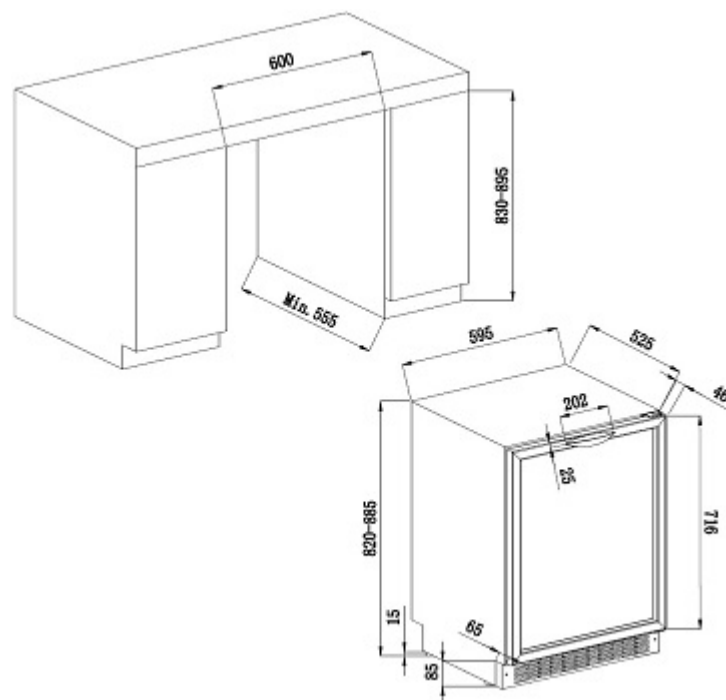
Container (UVC):

20': 48

40': 108

40' HC: 162

Gencod UVC: 3595320717099



Non-contractual pictures

* Capacity given with 75cl Bordeaux traditional type bottles. Adding shelves reduce considerably the total capacity.